



CIVRO WINDOWS, DOORS AND FACADES SYSTEM

RETRO XD85_BC / XD95_BC DOOR SYSTEM

RETRO DOOR SYSTEM: A VINTAGE STEEL AESTHETIC WITH MODERN COMFORT

The Retro door system extends the aesthetic language of the Retro window, forming a complete architectural set for projects seeking French vintage charm. Designed with 4 distinct variants, it includes models XD85_BC and XD95_BC, each available in inward or outward opening options, offering flexibility for different spatial requirements.

Derived from the CIVRO XD system, the Retro door inherits all the technical advantages of its predecessor while introducing refined stylistic features. Its defining element is the bevelled contour, which can be combined with matching slope frames and decorative grid bars. These grid bars follow the same production craftsmanship, profiles, and specifications as the Retro window system, ensuring consistency across façades.

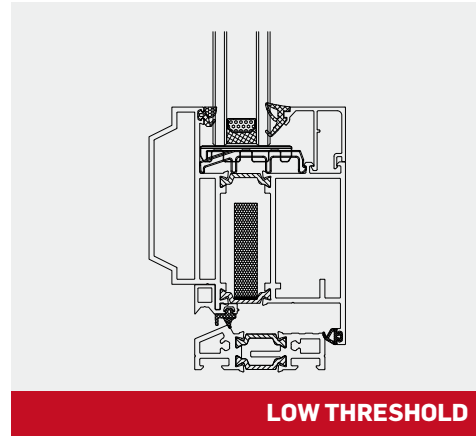
The Retro door not only recreates the elegance of classic steel-framed doors but also enhances thermal performance, making it an ideal solution for architects and builders aiming to balance authentic aesthetics with modern comfort and efficiency.

PLANNING HIGHLIGHTS

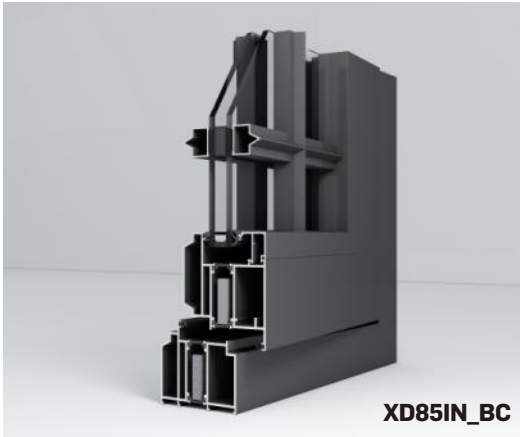
- Beveled outer frame lines create attractive visual accents in both new building and contemporary projects
- Decorative grids can be optionally applied to the glass to meet the requirements of various architectural styles
- Decorative grids are pre-assembled at the factory according to design specifications. They are fully anchored as a single unit, eliminating the need for on-site assembly and facilitating installation
- Slender decorative grids, with a face width of only 27mm and a total depth of only 28mm
- Doors are available in single, double, or unequal double leaf configurations, designed for both inward and outward opening
- The threshold is as low as 19mm, making passage more convenient
- Options for fanlights, side fixed glazing, or openable configurations, compatible with the CIVRO XW window series
- A high standard of security: up to Rc3
- The glazing bead is uniquely designed for indoor-side installation, preventing outdoor prying and simplifying interior side glass installation for enhanced safety



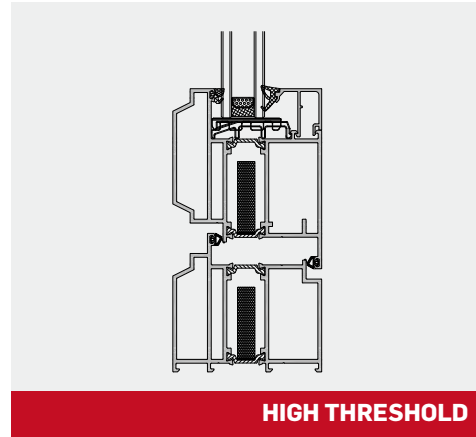
XD85IN_BC



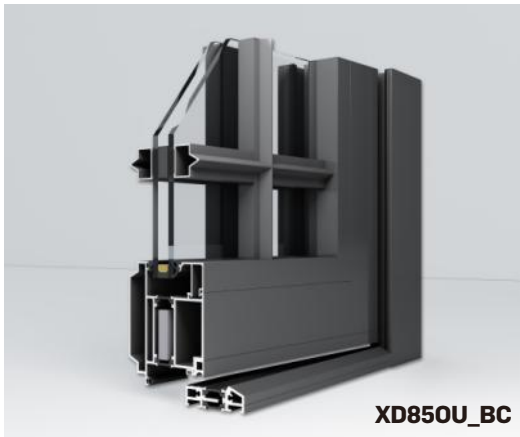
LOW THRESHOLD



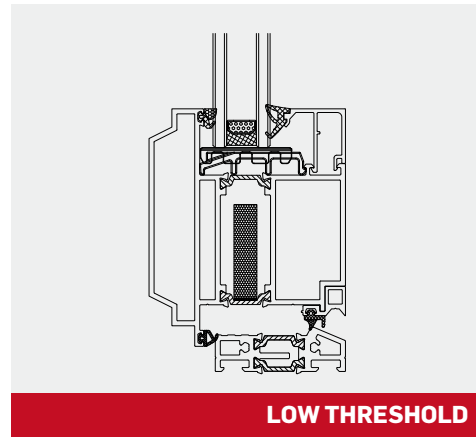
XD85IN_BC



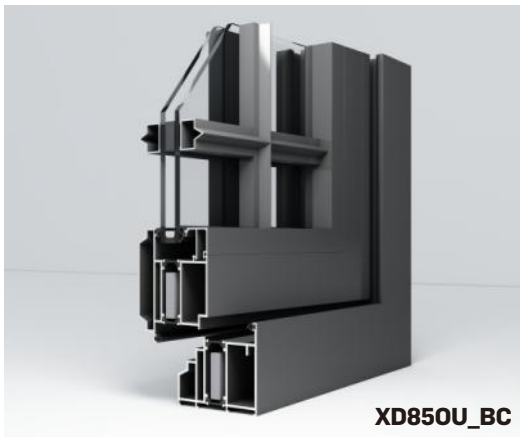
HIGH THRESHOLD



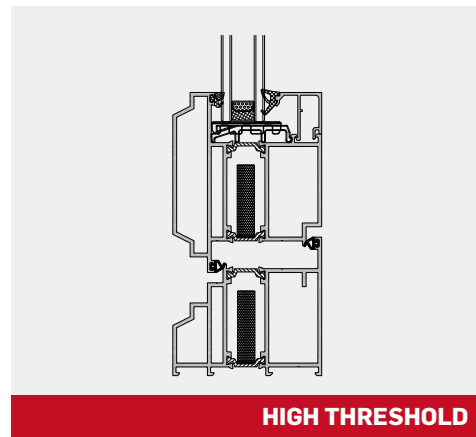
XD850U_BC



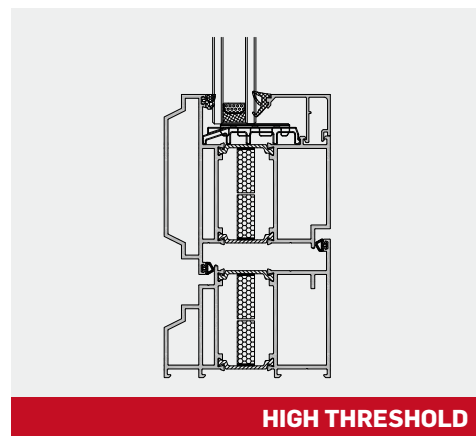
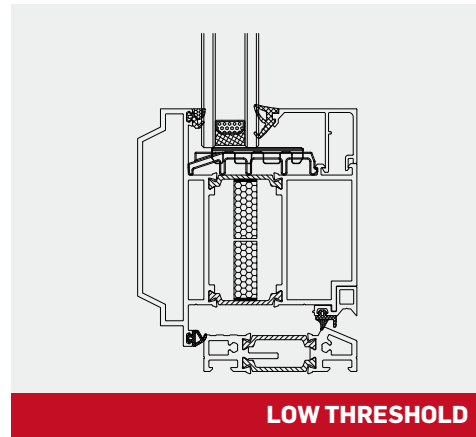
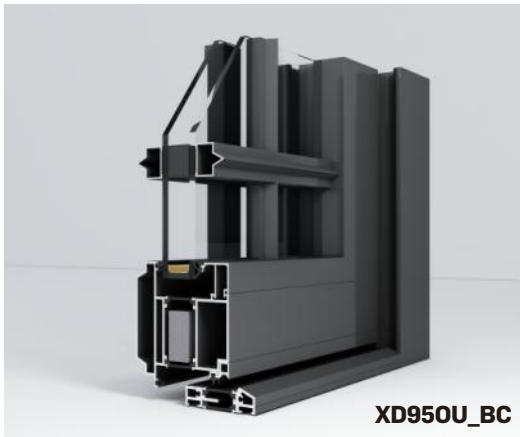
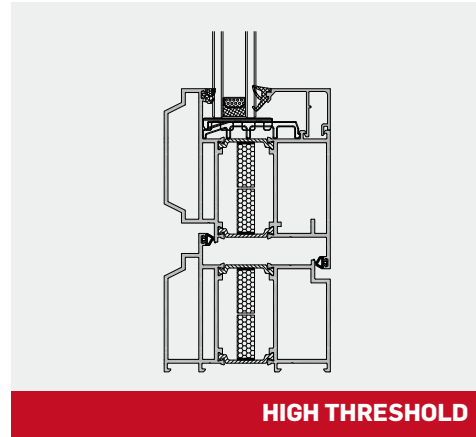
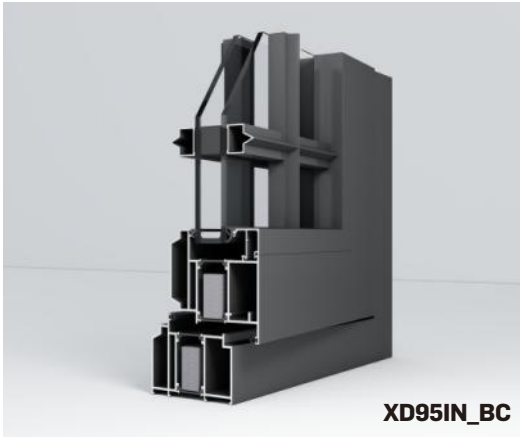
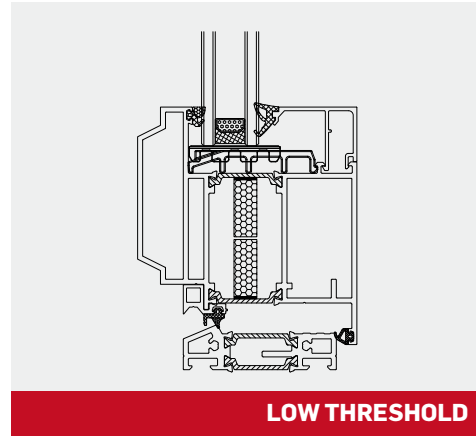
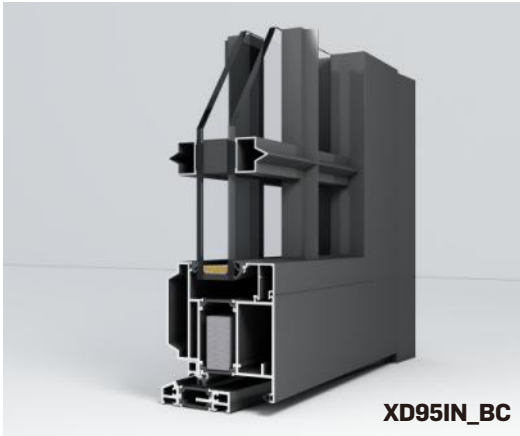
LOW THRESHOLD



XD850U_BC



HIGH THRESHOLD



TECHNICAL PERFORMANCE

PROFILE TECHNOLOGY

- Euro standard 6060 T6 profiles with main wall thickness of 2.2mm
- Euro standard 6060 T6 decorative grids with wall thickness of 1.4mm
- Multi-chambered frame design not only ensures greater structural stability but also effectively enhances thermal insulation performance
- Characteristic corner and butt joint connection technology for high rigidity of frames and sashes
- Exclusive MED(Matte Electro Deposition) coating gives the finest and smoothest tactile impression as well as tough weather resistance

GASKET CONCEPT

- Circumferential EPDM coex central gasket implement around the window perimeter
- EPDM glazing sealing, sealing strip
- Tailored fully vulcanised corner pieces
- European brand adhesive
- Fully vulcanised gaskets and sealing strips

OPENING OPTIONS

- Inwards opening
- Outwards opening

HARDWARE

- Heavy duty system hardware with:
 - Barrel hinges: up to 250Kg
 - Opening cycle : 1 million opening & closing cycles
 - Multi-point locking suite
- Hardware fittings are black galvanised to offer great anti-corrosion character
- Tailored Europe-made CIVRO X-Line handle



Black Sliver

THERMAL INSULATION

- PA66GF25 thermal insulating strip combination in 4 variants:
 - XD85IN_BC: C22
 - XD95IN_BC: C32
 - XD85OU_BC: C22
 - XD95OU_BC: C32
- Environmental friendly, fire-resistant, and thermally insulating polymer materials are used to fulfill the space enclosed by insulation strips and ventilation vent panel chamber, reducing heat convection and enhancing thermal insulation performance

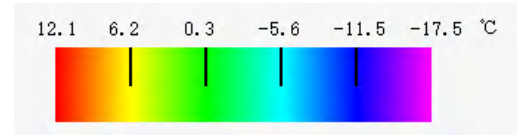
ADD-ONS

- Motorised hardware fitting
- Concealed door closer(top mounted)
- Child safety lock

THERMAL COMPUTATION



XD85IN_BC



■ **Ug**

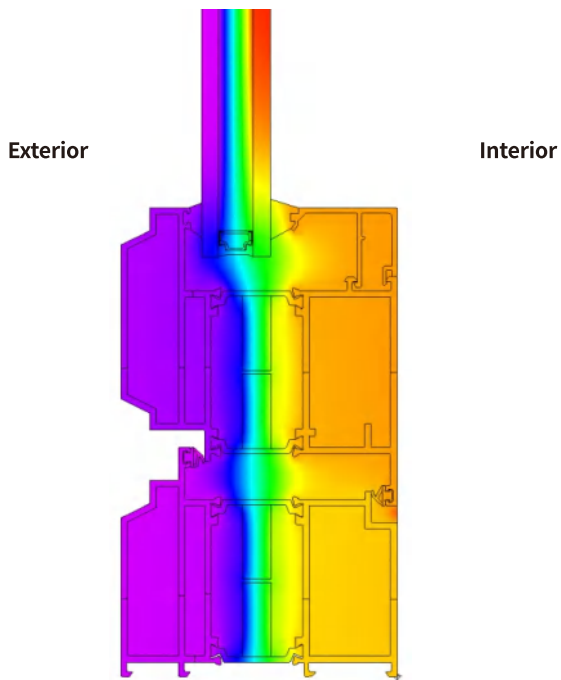
1.485 W/(m² · K)

■ **Glass type**

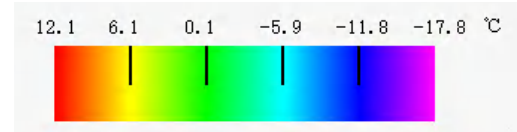
6G Low-E+12Ar+6G (warm edge spacer)

■ **Thermal insulating strip**

C22



XD95IN_BC



■ **Ug**

1.485 W/(m² · K)

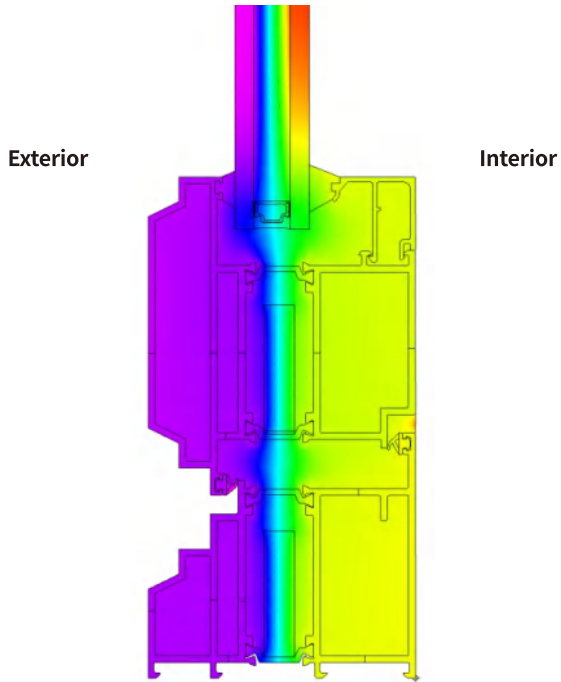
■ **Glass type**

6G Low-E+12Ar+6G (warm edge spacer)

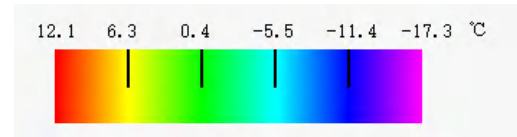
■ **Thermal insulating strip**

C32

THERMAL COMPUTATION



XW850U_BC



■ **Ug**

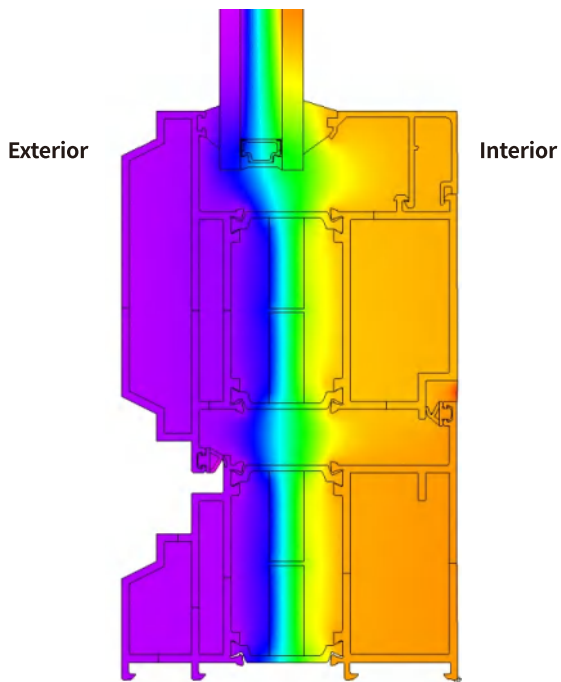
1.485 W/(m² · K)

■ **Glass type**

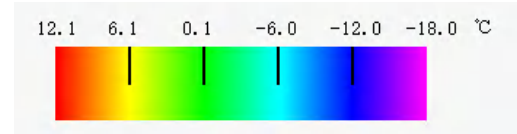
6G Low-E+12Ar+6G (warm edge spacer)

■ **Thermal insulating strip**

C22



XW950U_BC



■ **Ug**

1.485 W/(m² · K)

■ **Glass type**

6G Low-E+12Ar+6G (warm edge spacer)

■ **Thermal insulating strip**

C32

OVERVIEW OF XD85_BC/XD95_BC DOOR SYSTEM

	XD85IN_BC	XD85OU_BC	XD95IN_BC	XD95OU_BC
DESIGN				
Opening	Inwards opening	Outwards opening	Inwards opening	Outwards opening
Opening type	Single, double, unequal double leaf	Single, double, unequal double leaf	Single, double, unequal double leaf	Single, double, unequal double leaf
Basic depth(mm)	86	86	96	96
Vent frame depth(mm)	86	86	96	96
Face width of frame, low threshold (mm)	80	53.6	80	53.6
Face width of vent frame, low threshold (mm)	77.6	104	77.6	104
Threshold height, low threshold (mm)	19	19	19	19
Threshold height, high threshold (mm)	80	80	80	80
Barrel hinge	■	■	■	■
Concealed hinge	/	/	/	/
T profile	/	/	/	/
Meeting stile	■	■	■	■
Surface finish	MED, powder coating	MED, powder coating	MED, powder coating	MED, powder coating
Fixed lights	■	■	■	■
LEAF DATA				
Min.-max. leaf height(mm), depending on window type	2000-3000	2000-3000	2000-3000	2000-3000
Min.-max. leaf width(mm), depending on window type	700-1200	700-1200	700-1200	700-1200
Max. leaf weight(Kg)	250	250	250	250
Min.-max. glass thickness(mm)	7-29	7-29	7-39	7-39
IMPLEMENT SCENARIO				
Façade insert unit	■	■	■	■
Conservatory insert unit	■	■	■	■
PARAMETER				
U values in W(m ² K)	2.2	2.2	2.0	2.0
Sound reduction(dB), depending on glazing type	35	35	35	35
Air permeability(m ³ /(m.h))	0.5	0.5	0.5	0.5
Water tightness(Pa)	300	700	300	700
Wind load resistance(KPa)	≤5	≤5	≤5	≤5
Burglary resistance	RC3	Rc3	Rc3	Rc3

SINCE 1993

CIVRO has accumulated over 30 years of experience in the research, development, and production of system doors and windows. Embracing the pioneering concept of global system doors, windows, and curtain walls, CIVRO adapts to the diverse and complex climatic conditions represented by China, covering usage habits across multiple dimensions. Upholding the integrated principles of safety, environmental protection, sustainable development, and aesthetics, Civro is committed to providing superior design inspiration and higher architectural value for global architects, designers, developers, and property owners. It aims to create personalized architectural facade system solutions for global landmark buildings and elite circles, establishing itself as a leading brand in global architectural facades.



CIVRÖ GmbH

Schweinfurter Str. 7, 97080 Würzburg, Germany

CIVRO Building Technology(Guangdong)Co.,Ltd

3rd Floor, Nanhai Dali Aluminium Building, Lingnan Road, Foshan, China

■ www.civro.com



Facebook



Official Website



Linkedin

Note:

All product catalogs and planning data such as product parameters and performances, detailed drawings, attachment to building structure drawings and CAD drawings, which you obtain from our website, digital centre, franchisers or other channels and which you can save to your computer, are examples which are intended to help you plan and design your project. These contents must be checked for its suitability in the relevant structural scenario. The technical and legal regulations, the site conditions, and the design and structural requirements, must be assessed and planned independently by the developer and observed by the company contracted to do the work. Data or descriptions in these documents may be modified or amended due to technique improvement or design optimisation. **PLEASE BE AWARE OF NECESSITY OF PRE-CHECK TO AVOID ANY MISUNDERSTANDING OR PLANNING LOSE.**