



CIVRO WINDOWS, DOORS AND FAÇADES SYSTEM

RETRO XW85_BC / XW95_BC WINDOW SYSTEM

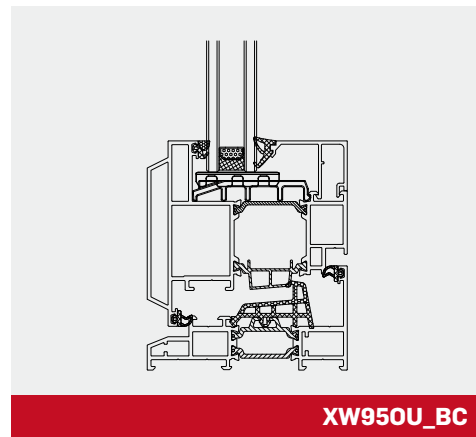
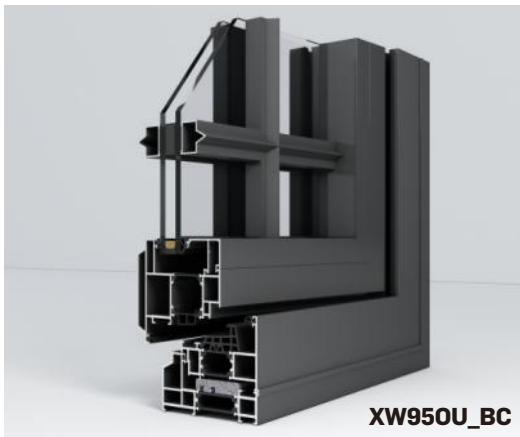
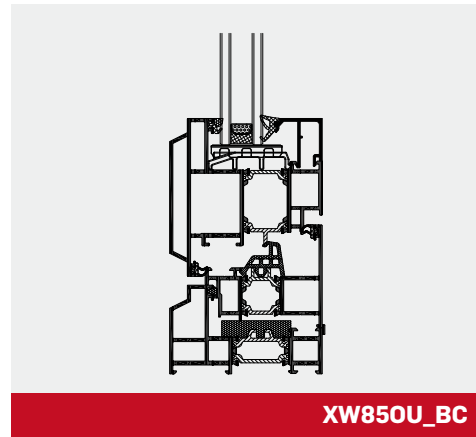
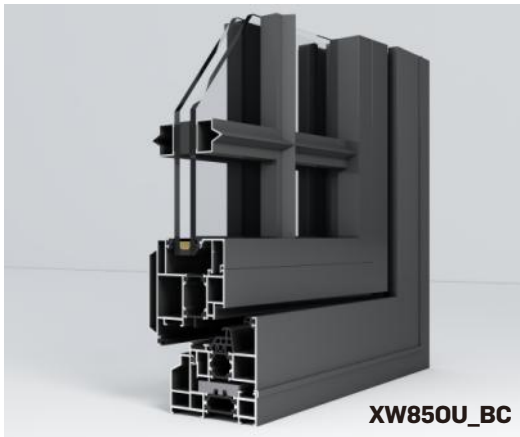
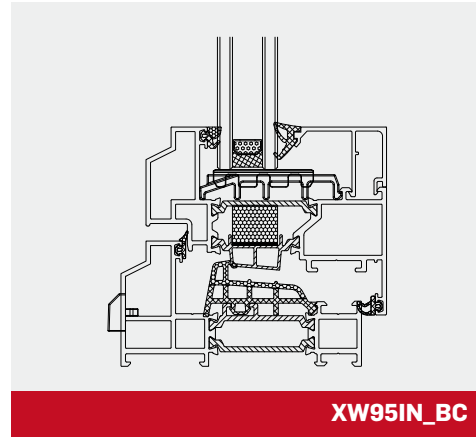
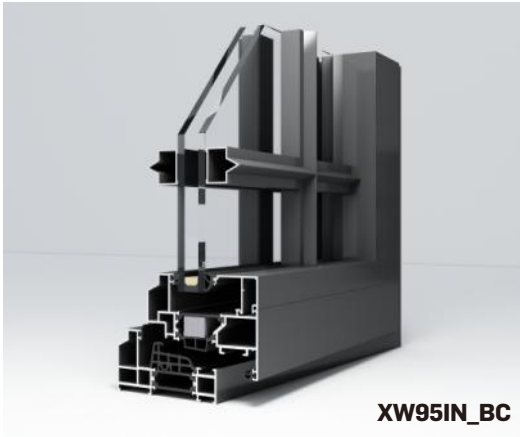
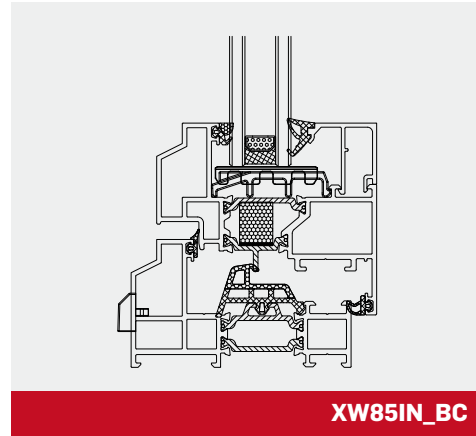
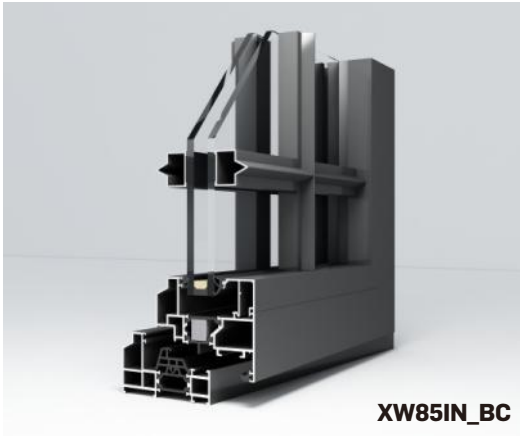
RETRO WINDOW SYSTEM: A COMPLETE ALUMINIUM SOLUTION THAT MIMICS THE SLENDER LOOK OF STEEL WINDOWS

The Retro window system, a high thermal insulation solution, offers 4 distinct variants, each with different base depths. Evolved from the CIVRO XW system, these windows retain all the advantages of the XW system while incorporating unique features.

A standout characteristic for architects and builders is the beveled contour, available with or without beveled grid bars on the glass. By incorporating beveled outer contours along with matching slope glazing beads and grid bars, the Retro window system creates a French vintage and retro steel window decorative style, perfect for projects aiming to achieve the aesthetic of steel-framed windows. It maintains the original design, provides visual emphasis, and enhances thermal performance.

PLANNING HIGHLIGHTS

- Beveled outer frame lines create attractive visual accents in both new building and contemporary projects
- Decorative grids can be optionally applied to the glass to meet the requirements of various architectural styles
- Decorative grids are pre-assembled at the factory according to design specifications. They are fully anchored as a single unit, eliminating the need for on-site assembly and facilitating installation
- Slender decorative grids, with a face width of only 27mm and a total depth of only 28mm
- Wide range of opening types including e.g. side-hung inwards opening, turn/tilt, side-hung outwards opening, top-hung window, single or double-vent as patio or balcony window door
- Equipped with a central gasket that plays a crucial role in enhancing overall sealing and other performance characteristics
- The glazing bead is uniquely designed for indoor-side installation, preventing outdoor prying and simplifying interior side glass installation for enhanced safety



TECHNICAL PERFORMANCE

PROFILE TECHNOLOGY

- Euro standard 6060 T6 profiles with main wall thickness of 1.8mm
- Euro standard 6060 T6 decorative grids with wall thickness of 1.4mm
- Multi-chambered frame design not only ensures greater structural stability but also effectively enhances thermal insulation performance
- Characteristic corner and butt joint connection technology for high rigidity of frames and sashes
- Exclusive MED (Matte Electro Deposition) coating gives the finest and smoothest tactile impression as well as tough weather resistance

GASKET CONCEPT

- Circumferential EPDM coex central gasket implement around the window perimeter
- EPDM glazing sealing, sealing strip
- Tailored fully vulcanised corner pieces
- European brand adhesive
- Fully vulcanised gaskets and sealing strip

OPENING OPTIONS

- Inwards opening
 - Side-hung, turn/tilt, double-vent, fixed light
- Outwards opening
 - Side-hung, double-vent, top-hung

ADD-ONS

- Opening limiter, child safety lock

HARDWARE

- Heavy duty system hardware with:
 - Concealed hinges (inward-opening): up to 200Kg
 - Friction hinges: up to 80Kg
 - Anti-falling safety chain (for outwards opening window)
 - Optionally with opening limiter in various adjustable opening range
- Locking seat and lockcase for inwards opening window are black galvanised
 - Corrosion resistance: 4 (standard), 5 (optional)
 - Durability: H3

Classification as per EN 13126-8:2017
- Lock base for outward-opening window made of stainless steel with PVD coating
 - Corrosion resistance: 5

Classification as per EN 13126-8:2017
- A single set of inward-opening hardware can support up to 6 opening modes (including 90° inward swing, 180° inward swing, tilt & turn, inward tilt, inward tilt lock, and inward swing lock), offering lower costs and a better user experience
- Tailored European import Retro stainless steel handle

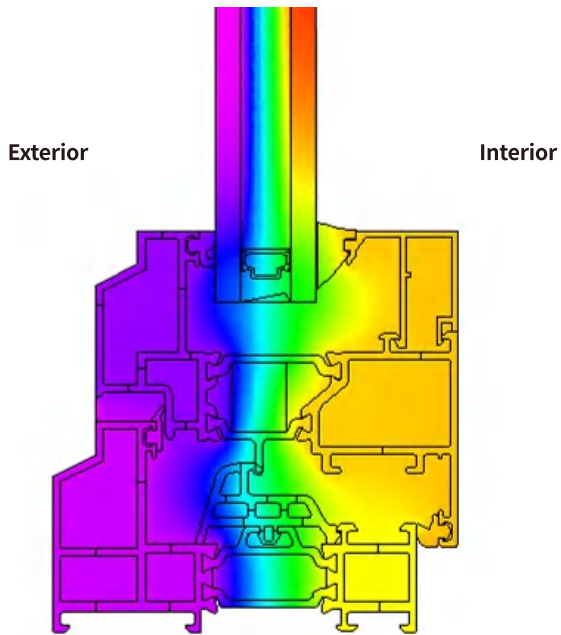


Black Silver

THERMAL INSULATION

- PA66GF25 thermal insulating strip combination in 4 variants:
 - XW85IN_BC: C32+T25
 - XW95IN_BC: C42+T35
 - XW85OU_BC: C32+T22
 - XW95OU_BC: C42+T32
- Environmental friendly, fire-resistant, and thermally insulating polymer materials are used to fulfill the space enclosed by insulation strips and ventilation vent panel chamber, reducing heat convection and enhancing thermal insulation performance

THERMAL COMPUTATION



XW85IN_BC

13.1 7.0 0.9 -5.1 -11.2 -17.3 °C



■ **Ug**

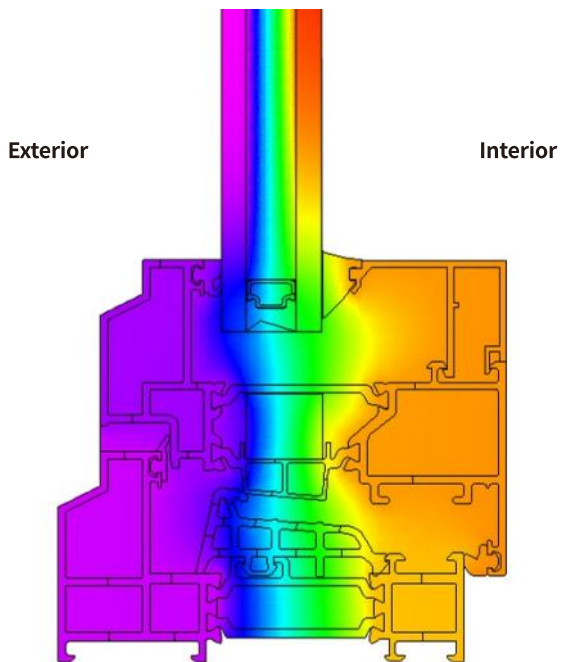
1.306 W/(m² · K)

■ **Glass type**

6G+12Ar+6G Low-E (warm edge spacer)

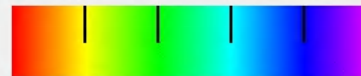
■ **Thermal insulating strip**

C32+T25



XW95IN_BC

13.0 7.0 0.9 -5.2 -11.2 -17.3 °C



■ **Ug**

1.306 W/(m² · K)

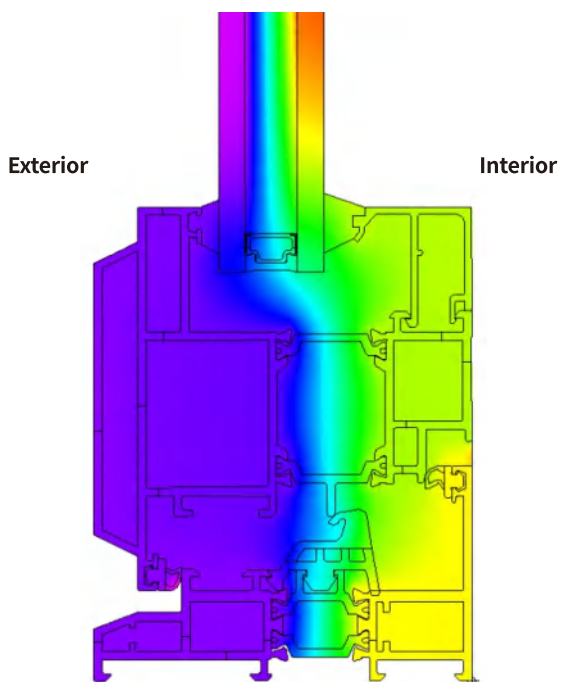
■ **Glass type**

6G+12Ar+6G Low-E (warm edge spacer)

■ **Thermal insulating strip**

C42+T35

THERMAL COMPUTATION



XW850U_BC

12.2 6.1 0.1 -6.0 -12.0 -18.1 °C



■ **Ug**

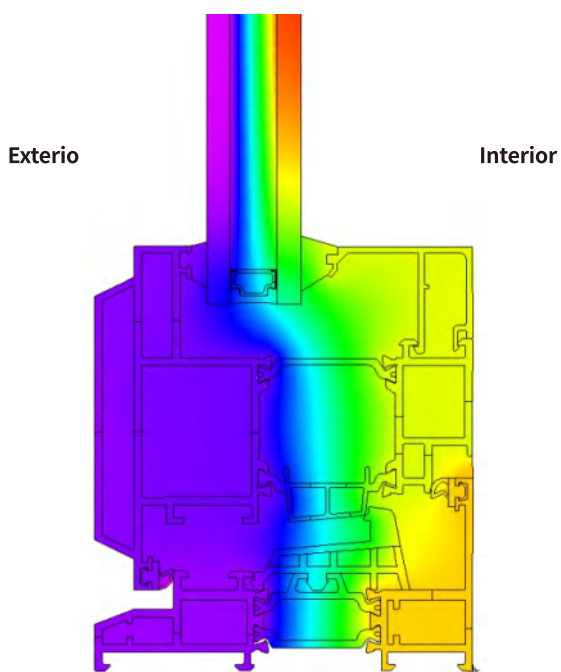
1.485 W/(m² · K)

■ **Glass type**

6G Low-E+12Ar+6G (warm edge spacer)

■ **Thermal insulating strip**

C32+T22



XW950U_BC

12.1 6.1 0.1 -5.8 -11.8 -17.8 °C



■ **Ug**

1.485 W/(m² · K)

■ **Glass type**

6G Low-E+12Ar+6G (warm edge spacer)

■ **Thermal insulating strip**

C42+T32

OVERVIEW OF XW85_BC/XW95_BC WINDOW SYSTEM

	XW85IN_BC	XW85OU_BC	XW95IN_BC	XW95OU_BC
DESIGN				
Opening	Inwards opening	Outwards opening	Inwards opening	Outwards opening
Opening type	Side-hung, turn/tilt, double-vent, fixed light	Side-hung, top-hung, double-vent	Side-hung, turn/tilt, double-vent, fixed light	Side-hung, top-hung, double-vent
Basic depth(mm)	86	86	96	96
Vent frame depth(mm)	86	86	96	96
Face width of frame(mm)	50	50	50	50
Face width of vent frame(mm)	39.5	89	39.5	89
Face width of meeting stile(mm)	/	/	/	/
Face width of mullion(mm)	74	74	74	74
Face width of decorative grid(mm)	27	27	27	27
Total depth of decorative grid(mm)	28	28	28	28
Concealed hinge	■	/	■	/
Reinforcement mullion	/	/	/	/
Surface finish	MED, powder coating	MED, powder coating	MED, powder coating	MED, powder coating
Pluggable inwards opening flyscreen sash	/	/	/	/
Fixed lights	■	■	■	■
VENT DATA				
Min.-max. vent height(mm), depending on window type	735-2600	500-1800	735-2600	500-1800
Min.-max. vent width(mm), depending on window type	700-1200	500-850	700-1200	500-850
Max. vent weight(Kg)	200	80	200	80
Min.-max. glass thickness(mm)	7-29	7-29	7-39	7-39
IMPLEMENT SCENARIO				
Façade insert unit	■	■	■	■
Conservatory insert unit	■	■	■	■
PARAMETER				
U values in W(m ² K)	1.8	1.5	1.5	1.6
Sound reduction(dB), depending on glazing type	38	37	39	37
Air permeability(m ³ /(m.h))	0.21	0.4	0.4	0.4
Water tightness(Pa)	1000	1000	1000	1000
Wind load resistance(KPa)	≤5	≤5	≤5	≤5

SINCE 1993

CIVRO has accumulated over 30 years of experience in the research, development, and production of system doors and windows. Embracing the pioneering concept of global system doors, windows, and curtain walls, CIVRO adapts to the diverse and complex climatic conditions represented by China, covering usage habits across multiple dimensions. Upholding the integrated principles of safety, environmental protection, sustainable development, and aesthetics, Civro is committed to providing superior design inspiration and higher architectural value for global architects, designers, developers, and property owners. It aims to create personalized architectural facade system solutions for global landmark buildings and elite circles, establishing itself as a leading brand in global architectural facades.



CIVRÖ GmbH

Schweinfurter Str. 7, 97080 Würzburg, Germany

CIVRO Building Technology(Guangdong)Co.,Ltd

3rd Floor, Nanhai Dali Aluminium Building, Lingnan Road, Foshan, China

■ www.civro.com



Facebook



Official Website



Linkedin

Note:

All product catalogs and planning data such as product parameters and performances, detailed drawings, attachment to building structure drawings and CAD drawings, which you obtain from our website, digital centre, franchisers or other channels and which you can save to your computer, are examples which are intended to help you plan and design your project. These contents must be checked for its suitability in the relevant structural scenario. The technical and legal regulations, the site conditions, and the design and structural requirements, must be assessed and planned independently by the developer and observed by the company contracted to do the work. Data or descriptions in these documents may be modified or amended due to technique improvement or design optimisation. **PLEASE BE AWARE OF NECESSITY OF PRE-CHECK TO AVOID ANY MISUNDERSTANDING OR PLANNING LOSE.**